

WHAT TO DO BEFORE THE WORKSHOP

1



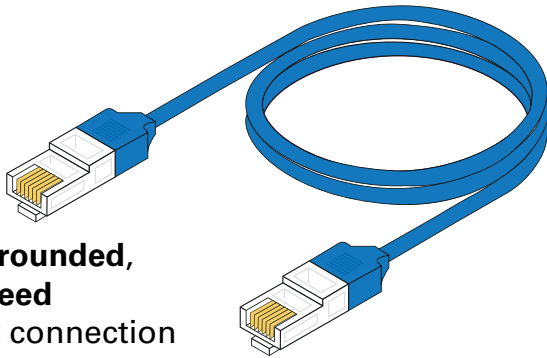
Before the event, install the **video conferencing software** we will use

2

Wear **headphones**



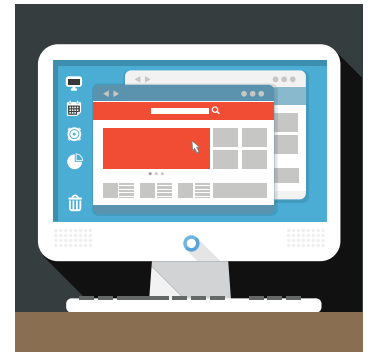
3



Use a **grounded, high-speed** Internet connection

4

Shut down other applications and programs



5

Find a **quiet, comfortable space** with minimal distractions



6

Find **good lighting**



7

Download workshop materials beforehand



8

Have workshop **materials open** during the event

